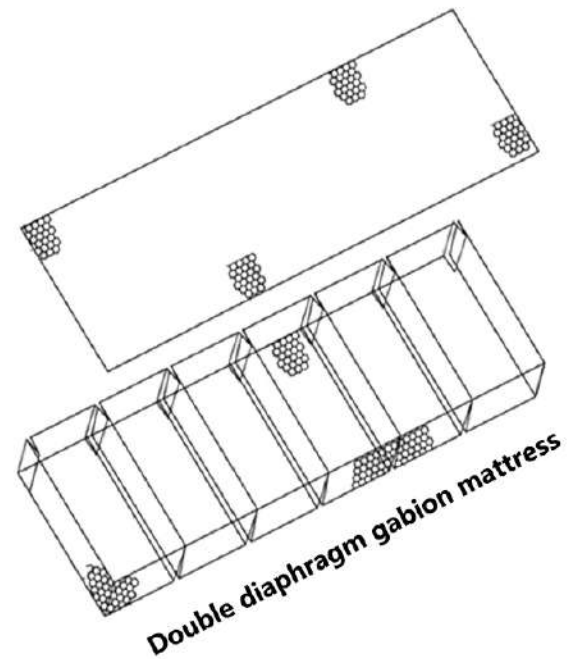


# Gabion Mattress

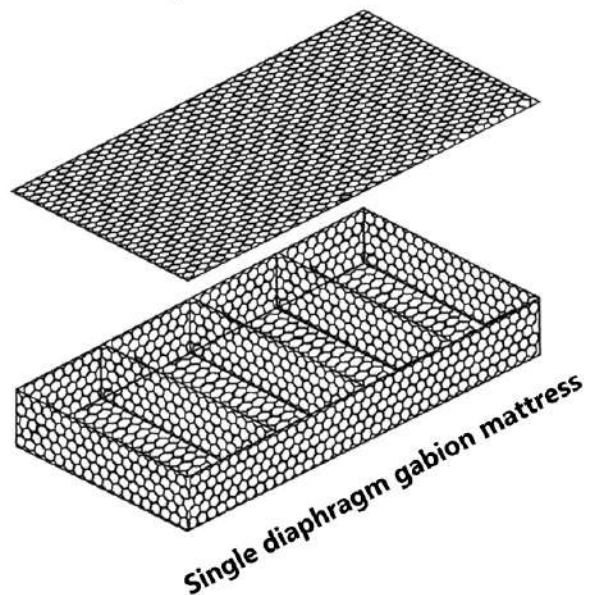


## Gabion Mattress

1. Beautiful looking - straight wires and sleek edges can also be combined with natural plants
2. Intensity and stability - steel wire construction could endure forces of flowing water and retained earth
3. Anti-corrosion – galvanized to BS EN 10244-2 for average life of 40 years
4. Gabion Mattresses are widely used for river bank, soil protection, channel linings for erosion control, and protective project of coast, and so on.



Gabion Mattress						
Mesh Wire (mm)	Selvedge Wire (mm)	Lacing Wire (mm)	Hole Size (mm)	Length (m)	Width (m)	Height (m)
2.0-4.0	Normally thicker 0.5-1.0mm than mesh wire	2.0/2.2	50*70	3	2	0.15-0.20-0.25
			50*70	4	2	0.15-0.20-0.25
			50*70	5	2	0.15-0.20-0.25
			60*80	6	2	0.15-0.20-0.25
			60*80	3	2	0.17-0.23-0.30
			60*80	4	2	0.17-0.23-0.30
			60*80	5	2	0.17-0.23-0.30
			60*80	6	2	0.17-0.23-0.30



 SHENZHOU ANDESEN WIRE FENCING CO., LTD.

 : +86-15630100677    
  : [www.adswiremesh.com](http://www.adswiremesh.com)    
  : [info@adswiremesh.com](mailto:info@adswiremesh.com)