

Single Coil Razor Wire



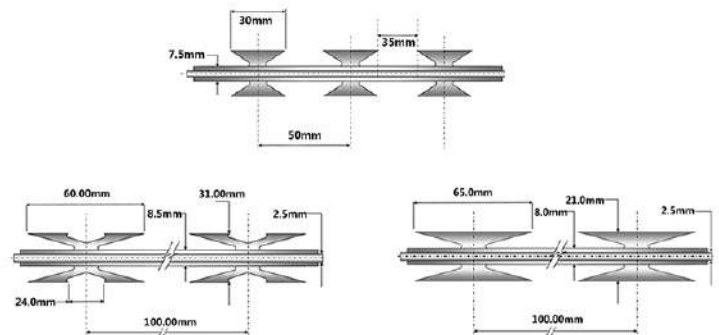
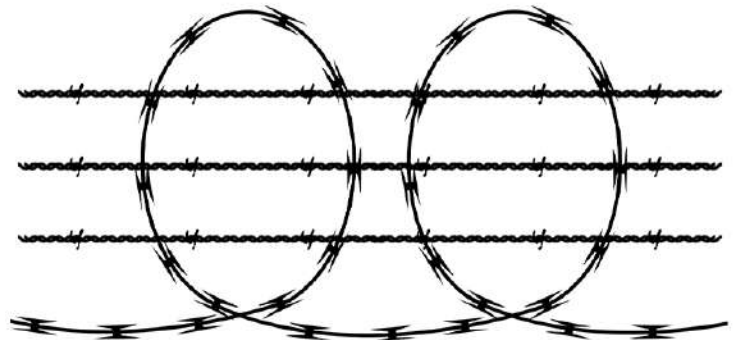
Technical overview

Single Coil Razor Wire BTO-30, CBT-60 and CBT-65 has no any clips crossed the razor wire, also single coil spiral razor wire runs in natural loops on walls or fencing to enhance the security.

Product advantage

1. Virtually Impossible to Climb
2. High Tensile Core Wire
3. Very Difficult to Cut
4. Easy to Install
5. Neat Appearance
6. No need to install added razor wire
7. No secondary use - Averting Theft

Single Coil Razor Wire			
Model	BTO-30	CBT-60	CBT-65
Die legend			
Thickness	0.5mm+/-0.05mm	0.5mm+/-0.05mm	0.5mm+/-0.05mm
Core Wire Dia	2.5mm+/-0.1mm	2.5mm+/-0.1mm	2.5mm+/-0.1mm
Blade Length	30mm+/-1mm	60mm+/-1mm	65mm+/-1mm
Blade Width	18mm+/-1mm	32mm+/-1mm	21mm+/-1mm
Blade Space	45mm+/-1mm	100mm+/-1mm	100mm+/-1mm
Coil Dia	900/700/500/450mm	900/700/500/450mm	900/700/500/450mm
No. of loops	33/41/53	33/41/53	33/41/53
Standard Covering Length	8/10/13m	8/10/13m	8/10/13m
Coil Type	Single	Single	Single



Hot-dipped Galvanized Razor Wire		
Plate Zinc Coating	Core Wire High Carbon Steel Wire	Core Wire Low Carbon Steel Wire
40g/m2	40g/m2	15g/m2
80g/m2	80g/m2	40g/m2
120g/m2	120g/m2	200g/m2
200g/m2	200g/m2	275g/m2
230g/m2	230g/m2	300g/m2
250g/m2	250g/m2	350g/m2
275g/m2	275g/m2	---

Stainless Steel Razor Wire		
Plate Grade	Core Wire Stainless Steel Wire	Core Wire Low/High Carbon Steel Wire
SS430	SS430	40g/m2
SS201	SS201	80g/m2
SS304	SS304	120g/m2
SS316	SS316	200g/m2
SS304L	SS304L	230g/m2
SS316L	SS316L	250g/m2
		275g/m2

Powder Spray Painted Razor Wire

The popular color is green, black, red, or we can make it based on your request.



SHENZHOU ANDESEN WIRE FENCING CO., LTD.

☎ : +86-15630100677

🌐 : www.adswiremesh.com

✉ : info@adswiremesh.com